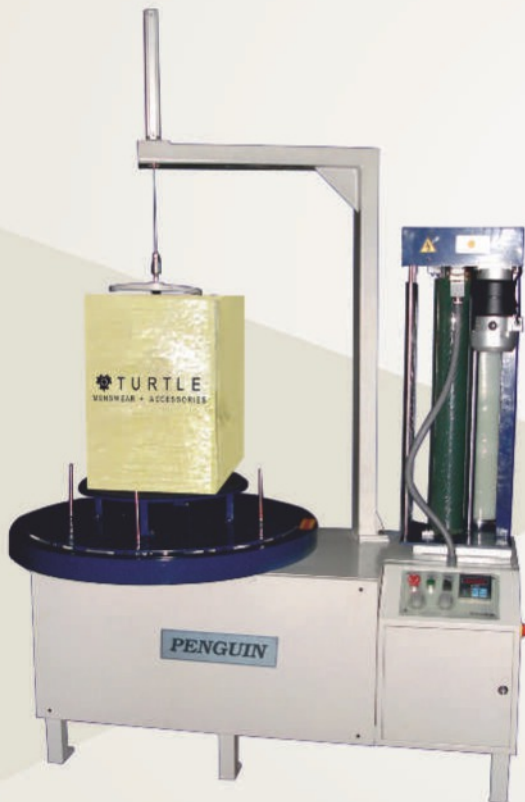


# CARTON BOX WRAPPER

## Model: COMPACT

This table-top model is the supreme packaging system for small and medium sized objects packed in carton boxes. The machine is highly suitable for goods with light weight that can be manually loaded, turned over, wrapped and unloaded from the machine. It gives moisture and dust proof packing for delicate items like computers. It gives pilferage protection for items like garments. The Penguin "Powered Pre-Stretch Unit" greatly economizes the film consumption.



### Salient Features:

- Easy handling of light loads
- Provides bi-directional wrapping
- Powered pre-stretch upto 300% stretch
- All six sides are wrapped and protected



### Applications:

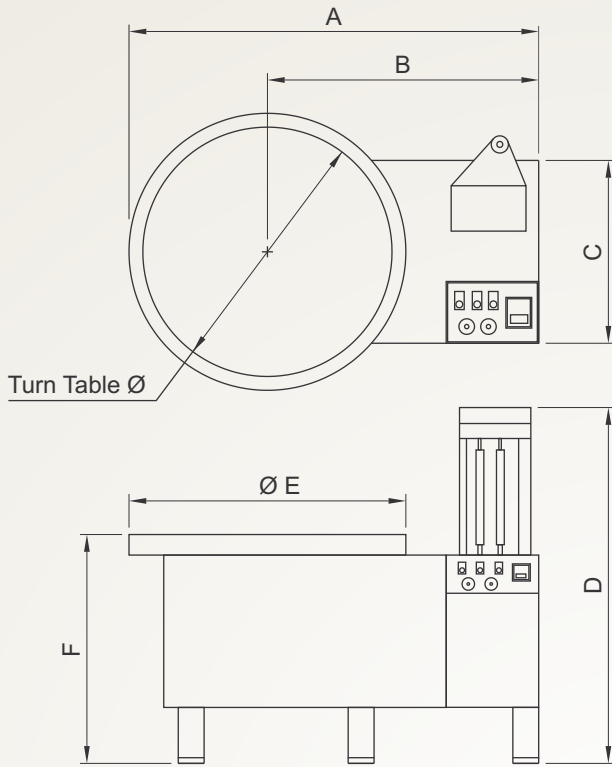
Apparels, garments, computer components, handicrafts, food products packed in carton boxes, cans, tins, drums etc.,

## Specifications

<b>CAPACITY:</b>		<b>MACHINE: *</b>		<b>FILM DETAILS:</b>	
Boxes / Hour	: 30 - 75 Nos	<b>TURN TABLE</b>		Material	: LLDPE Stretch film
Box size	: 600 x 600 mm	Diameter	: 900 mm	Film width	: 250 - 500 mm
Box height	: 700 mm	Height (above GL)	: 750 mm	Film thickness-Range	: 12 - 35 $\mu$
Weight / Box (max.)	: 100 kg	Speed	: 20 rpm	Film thickness-Used	: 23 $\mu$
		Max. Stretch	: 300 %	Core diameter	: 76 mm
		Installed power	: 0.75 kW	Max. Film diameter	: 250 mm
		Power supply	: 220V, Single Phase, 50 Hz		

\* We also offer custom built machines to suit your product requirements

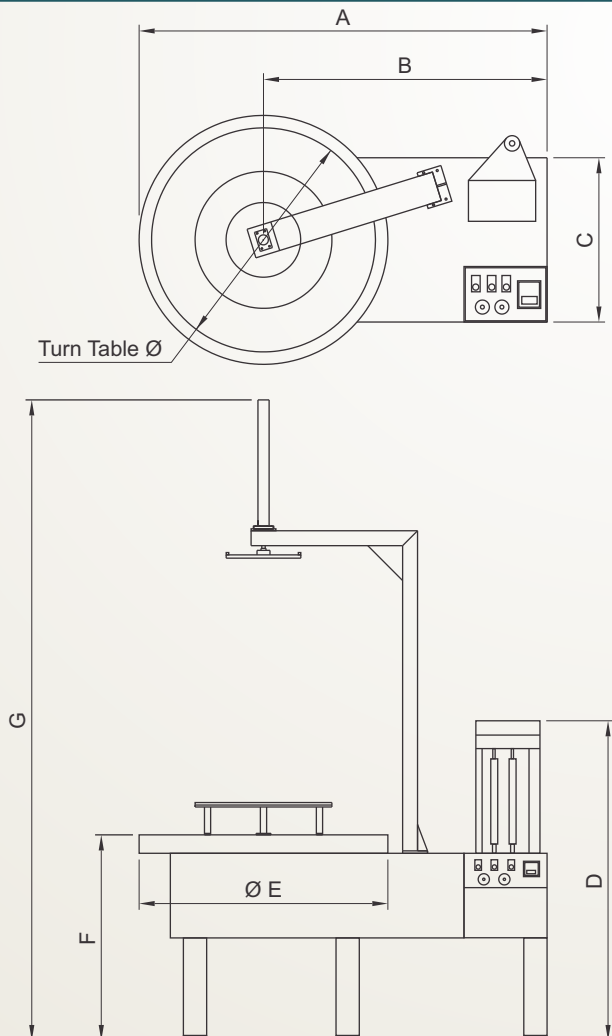
## Layout - Compact



Details	900mm Turn Table Ø	1200mm Turn Table Ø
A	1480	1960
B	1160	1310
C	----- 660 -----	
D	1450 (For 500mm SU) 1700 (For 750mm SU)	
E	1000	1300
F	----- 750 -----	
Max. box size	600 x 600 x 700 (L x B x H)	800 x 800 x 1000 (L x B x H)

Note:  
- All dimensions are in mm

## Layout - Compact with Top platen \*



Details	900mm Turn Table Ø	1200mm Turn Table Ø
A	1480	1960
B	1160	1310
C	----- 660 -----	
D	1525 (For 500mm SU) 1775 (For 750mm SU)	
E	1000	1300
F	----- 750 -----	
G	2320 (For 500mm SU) 2440 (For 750mm SU)	
Max. box size	600 x 600 x 700 (L x B x H)	800 x 800 x 1000 (L x B x H)

Note:  
- All dimensions are in mm  
- \* Customer should provide dry compressed air at 6 bar pressure

Manufactured by



**Factory:**

3 / 184, Kodayampalayam  
Vaiyampalayam Post  
Coimbatore - 641 110. Tamil Nadu INDIA  
Tel: +91 94436 77432 , +91 94436 77804

**Office:**

"The Rookery", 46-B, KRK Road  
Krishnasamy Nagar II Layout  
Ramanathapuram  
Coimbatore - 641 045. Tamil Nadu INDIA  
Tel: +91 - 422 - 231 56 40 / 41 /44



 [info@penguin.in](mailto:info@penguin.in)

 [www.penguin.in](http://www.penguin.in)